

# SPEAKMAN® S-3219

## Healthcare Wall-Mounted Valve

### FEATURES:

- Polished chrome plated brass
- Double pedal self-closing valve.
- Renewable operating units.
- 1/2 in. NPTF exposed inlets and outlet.

### FINISH:



PC

### OPTIONS:

Add suffix to model #

- Keyed union angle stops  -UAS
- Keyed union separate stops  -USS

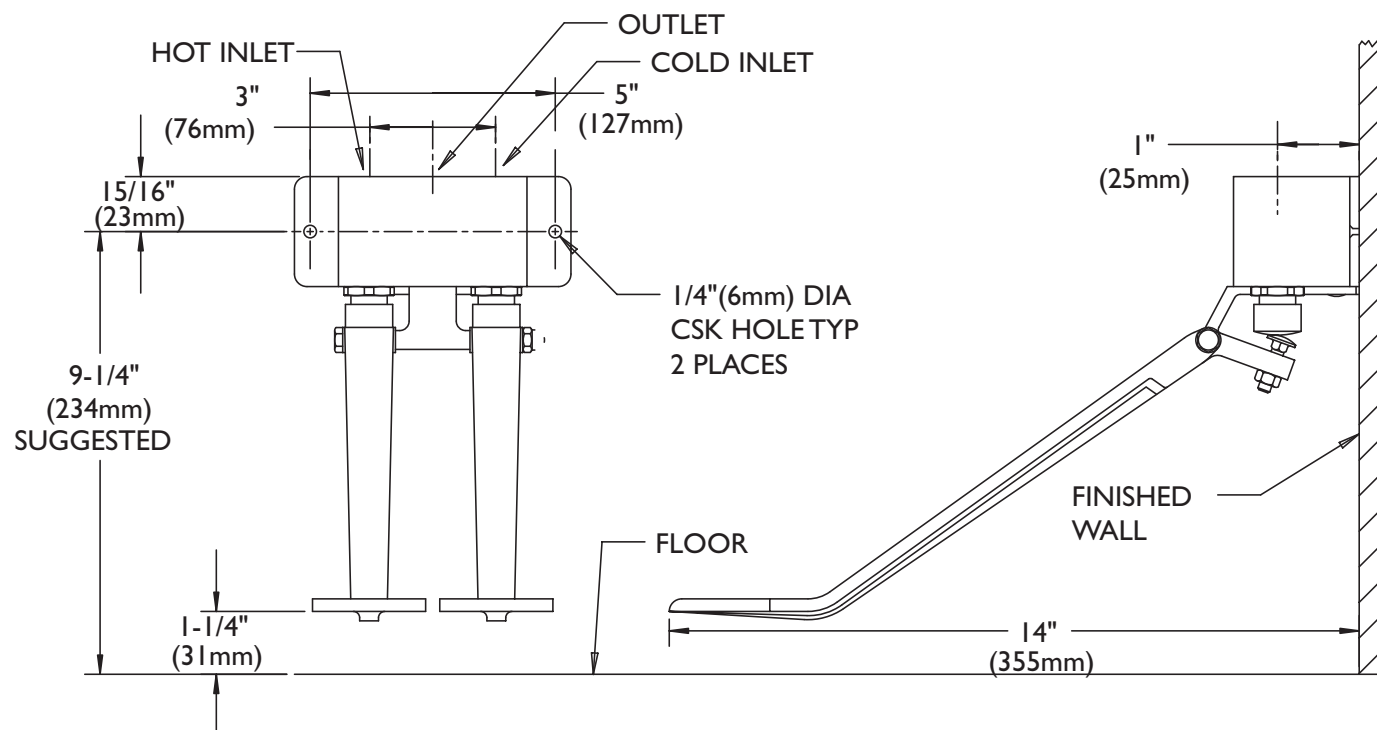
### WARRANTY:

- 5 year limited



### DIMENSIONS:

NOTE: 1. All dimensions are in inches (millimeters) unless otherwise specified and are subject to change without notice.  
2. All inlets are 1/2" NPT female.



Architect/Engineer Approval Space:

SPEAKMAN  
400 ANCHOR MILL ROAD  
NEW CASTLE, DE 19720

P: 800-537-2107  
F: 800-977-2747  
W: WWW.SPEAKMAN.COM  
R: AUGUST 2017